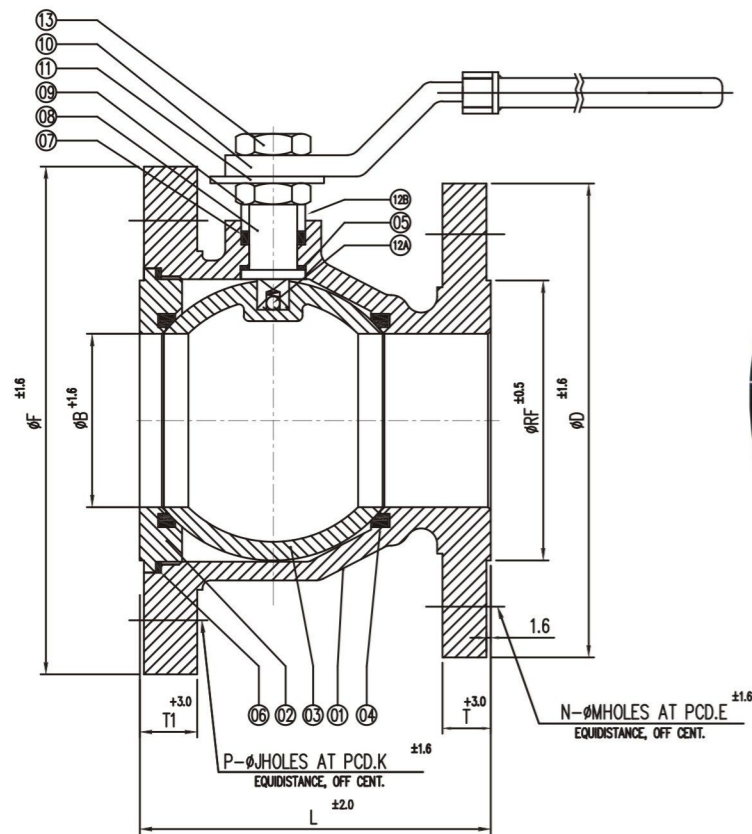


FLUSH BOTTOM VALVE



STANDARDS	
Design Std.	BS 5351
Face to Face	As per Mfg. Std.
End Connection	As per B 16.5 Flanged End
Testing Standard	BS 6755 Part : 11 / API 598

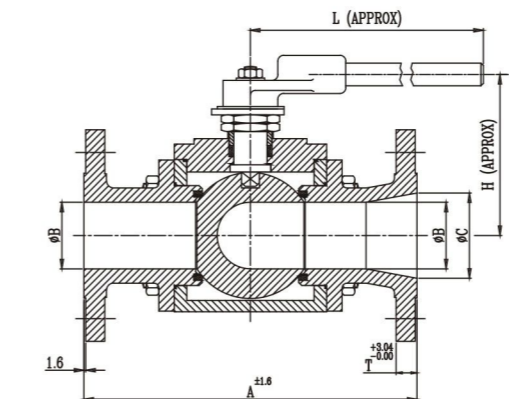
MATERIAL OF CONSTRUCTION		
P. NO.	PART'S NAME	MATERIAL
1	Body	As Cast
2	End Piece	As Cast
3	Ball	As Cast
4	Seat Ring	PTFE
5	Stem Ring	PTFE
6	Body Gasket	PTFE
7	Gland Packing	PTFE
8	Stem	SS304 / SS316
9	Gland Nut	SS304 / SS316
10	Handle	S.S. / C.S.
11	Lock Plate	As Per Drawing
12 A	Antistatic Spring (Ball)	S.S.
12 B	Antistatic Spring (Body)	S.S.
13	Handle Nut	S.S.

DIMENSIONS FOR FLUSH BOTTOM BALL VALVE											
CLASS	150#										
SIZE	L	ØB	ØRF	ØD	ØF	T	T1	E-PCD	N x ØM	K-PCD	P x ØJ
50mm x 40mm	104	38	73	127	152	14.22	15.75	98.55	4 x 16	120.5	4 x 19
65mm x 50mm	127	50	92.1	152	178	15.75	17.5	120.7	4 x 19	139.7	4 x 19
80mm x 50mm	112	50	92.1	152	191	15.75	19.05	120.7	4 x 19	152.4	4 x 19
80mm x 65mm	131.5	65	105	178	191	17.5	19.05	139.7	4 x 19	152.4	4 x 19
100mm x 80mm	170	76	127	191	230	19.05	23.8	152.4	4 x 19	190.5	8 x 19

Note : All dimensions are in MM

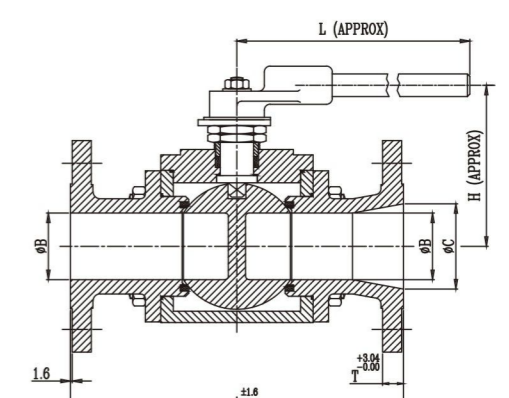
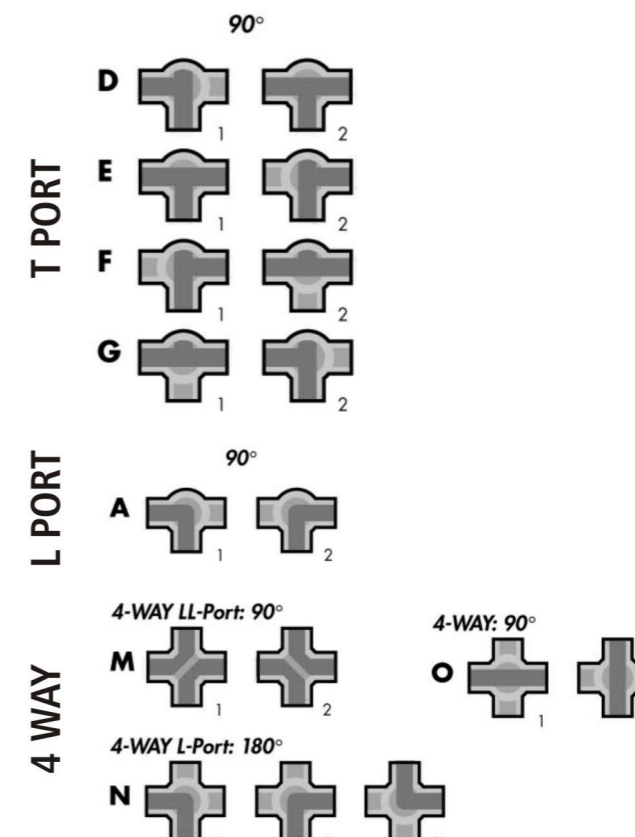
MULTI PORT VALVE

3 WAY/4 WAY BALL VALVE



DIMENSIONS FOR 3 WAY BALL VALVE											
Size	Rating	A	ØB	ØC	ØD	ØE	T	PCD	Holes	H	L
15mm	150#	139	12.5	15	89	34.9	11.5	60.5	4-Ø16	60	150
	300#	152	12.5	15	95	34.9	14.3	67.0	4-Ø16	60	150
20mm	150#	152	15	19	99	42.9	11.5	70	4-Ø16	60	150
	300#	163	15	19	118	42.9	15.9	82.5	4-Ø19	60	150
25mm	150#	165	19	32	108	50.8	11.5	79.5	4-Ø16	65	175
	300#	291	19	32	124	50.8	11.5	89.0	4-Ø19	70	175
40mm	150#	215	32	38	127	73.0	14.3	98.5	4-Ø16	75	200
	300#	220	32	38	156	73.0	20.6	114.5	4-Ø22	80	225
50mm	150#	235	38	50	152	92.1	15.9	120.7	4-Ø16	80	225
	300#	262	38	50	165	92.1	22	127	8-Ø19	90	250
65mm	150#	280	50	65	178	104.8	17.5	140	4-Ø19	90	250
	300#	318	50	65	191	104.8	25.5	149	8-Ø22	100	275
80mm	150#	318	65	76	191	127.0	19.5	152.5	4-Ø19	105	275
	300#	365	65	76	210	127.0	28.6	168.5	8-Ø22	115	300
100mm	150#	365	76	102	229	157.2	23.8	190.5	8-Ø19	115	300
	300#	425	76	102	254	157.2	31.7	200	8-Ø22	125	350
150mm	150#	432	102	152	279	185.7	25.4	241	8-Ø22	125	350
	300#	432	102	152	318	185.7	36.5	270	12-Ø22	150	400

Note : All dimensions are in MM



DIMENSIONS FOR 4 WAY BALL VALVE											
Size	Rating	A	ØB	ØC	ØD	ØE	T	PCD	Holes	H	L
25mm	150#	165	19	32	108	50.8	11.5	79.5	4-Ø16	95	250
	300#	190	19	32	124	50.8	11.5	89.0	4-Ø19	95	250
40mm	150#	216	32	38	127	73.0	14.3	98.5	4-Ø16	105	280
	300#	235	32	38	156	73.0	20.6	114.5	4-Ø22	105	280
50mm	150#	279	38	50	152	92.1	15.9	120.7	4-Ø16	135	350
	300#	279	38	50	165	92.1	22	127	8-Ø19	140	350
65mm	150#	306	50	65	178	104.8	17.5	140	4-Ø19	155	400
	300#	381	50	65	191	104.8	25.5	149	8-Ø22	160	400
80mm	150#	356	65	76	191	127.0	19.5	152.5	4-Ø19	160	450
	300#	450	65	76	210	127.0	28.6	168.5	8-Ø22	170	450
100mm	150#	435	76	102	229	157.2	23.8	190.5	8-Ø19	180	475
	300#	560	76	102	254	157.2	31.7	200	8-Ø22	215	500
150mm	150#	525	102	152	279	185.7	25.4	241	8-Ø22	235	500
	300#	-	-	-	-	-	-	-	-	-	-